

Presence detector - Professional Line

# IS 3360 40m

COM1 - concealed, rd. black

EAN 4007841 068554

Article number 068554



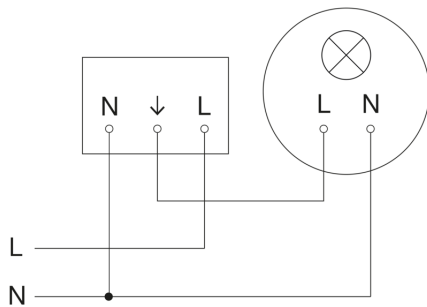
# IS 3360 40m

COM1 - concealed, rd. black

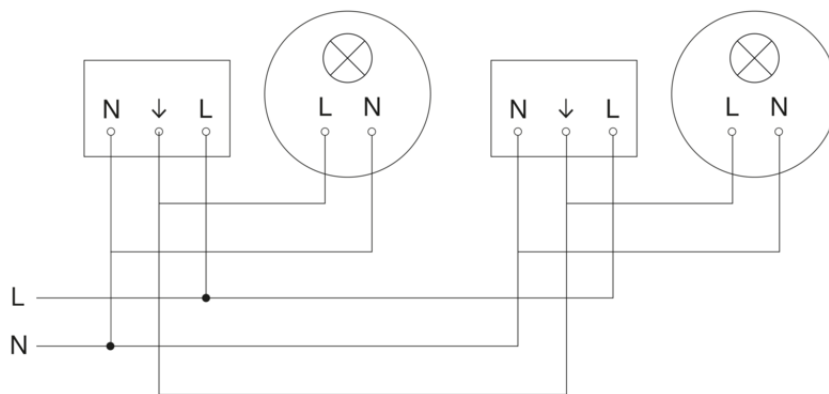
EAN 4007841 068554

Article number 068554

## Circuit diagram



## Circuit diagram for interconnecting several sensors

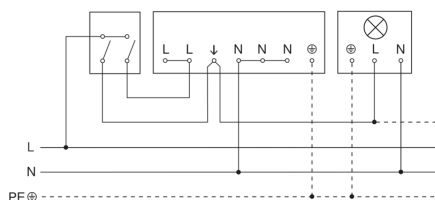


# IS 3360 40m

COM1 - concealed, rd. black  
EAN 4007841 068554  
Article number 068554



## Connection using two-circuit switch for manual and automatic operation



## Circuit diagram Connection via a changeover switch for continuous and automatic operation

